

ETR-U-18-230UC/21

This product has been replaced by a newer version.

Order No.: 2964717



<http://eshop.phoenixcontact.de/phoenix/treeViewClick.do?UID=2964717>

Multifunction timer relay, housing width: 22.5 mm, color: Green

Commercial data

EAN	4017918131050
Pack	1 Pcs.
Customs tariff	85364190
Weight/Piece	0.09643 KG
Catalog page information	Page 449 (IF-2005)

<http://www.download.phoenixcontact.com>
Please note that the data given here has been taken from the online catalog. For comprehensive information and data, please refer to the user documentation. The General Terms and Conditions of Use apply to Internet downloads.

Technical data

Coil side

Input voltage range	18 V AC/DC ... 265 V AC/DC
Input current	Approx. 2 mA ... 5 mA (in rest position) Approx. 10 mA ... 20 mA (in working position)
Temperature sensitivity	Approx. 0.2 %
Recovery time	< 50 ms

Contact side

Contact type	Single contact, 1-PDT
Contact material	AgNi, 0.15 gold-flashed

Maximum switching voltage	250 V AC/DC
Minimum switching voltage	12 V
Limiting continuous current	6 A
Maximum inrush current	8 A
Min. switching current	10 mA
Interrupting rating (ohmic load) max.	190 W (for 24 V DC)
	70 W (for 48 V DC)
	55 W (for 60 V DC)
	50 W (for 110 V DC)
	50 W (for 220 V DC)
	1500 VA (for 250 V AC)

General data

Length	79 mm
Width	22.5 mm
Height	86 mm
Status display	LED red
Service life mechanical	Approx. 10^7 cycles
Test voltage relay winding/relay contact	2 kV AC
Ambient temperature (operation)	-20 °C ... 60 °C
Mounting position	Any
Standards/regulations	IEC 60664-1: 1992-10
Color	green
Housing insulation material	Polyamide PA non-reinforced

Connection data

Conductor cross section stranded min.	0.2 mm ²
Conductor cross section stranded max.	2.5 mm ²
Conductor cross section solid min.	0.2 mm ²
Conductor cross section solid max.	2.5 mm ²
Conductor cross section AWG/kcmil min.	24
Conductor cross section AWG/kcmil max	14
Stripping length	8 mm
Screw thread	M 3

Certificates / Approvals

Approval logo

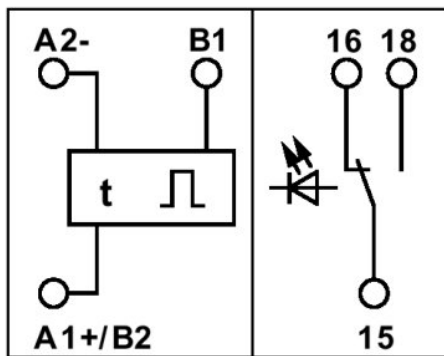


requested approbations

Certification	GOST
---------------	------

Drawings

Circuit diagram



Address

PHOENIX CONTACT GmbH & Co. KG
Flachsmarktstr. 8
32825 Blomberg, Germany
Phone +49 5235 3 00
Fax +49 5235 3 41200
<http://www.phoenixcontact.de>



© 2008 Phoenix Contact
Technical modifications reserved;